

ELKA

RM 140

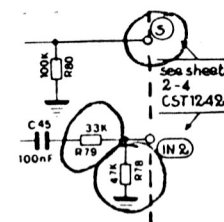
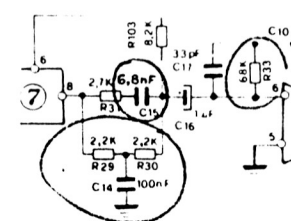
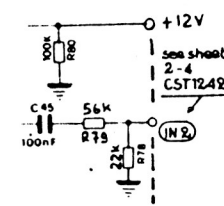
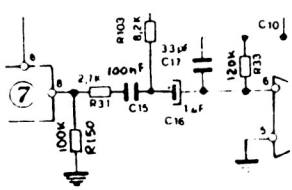
schematic diagrams

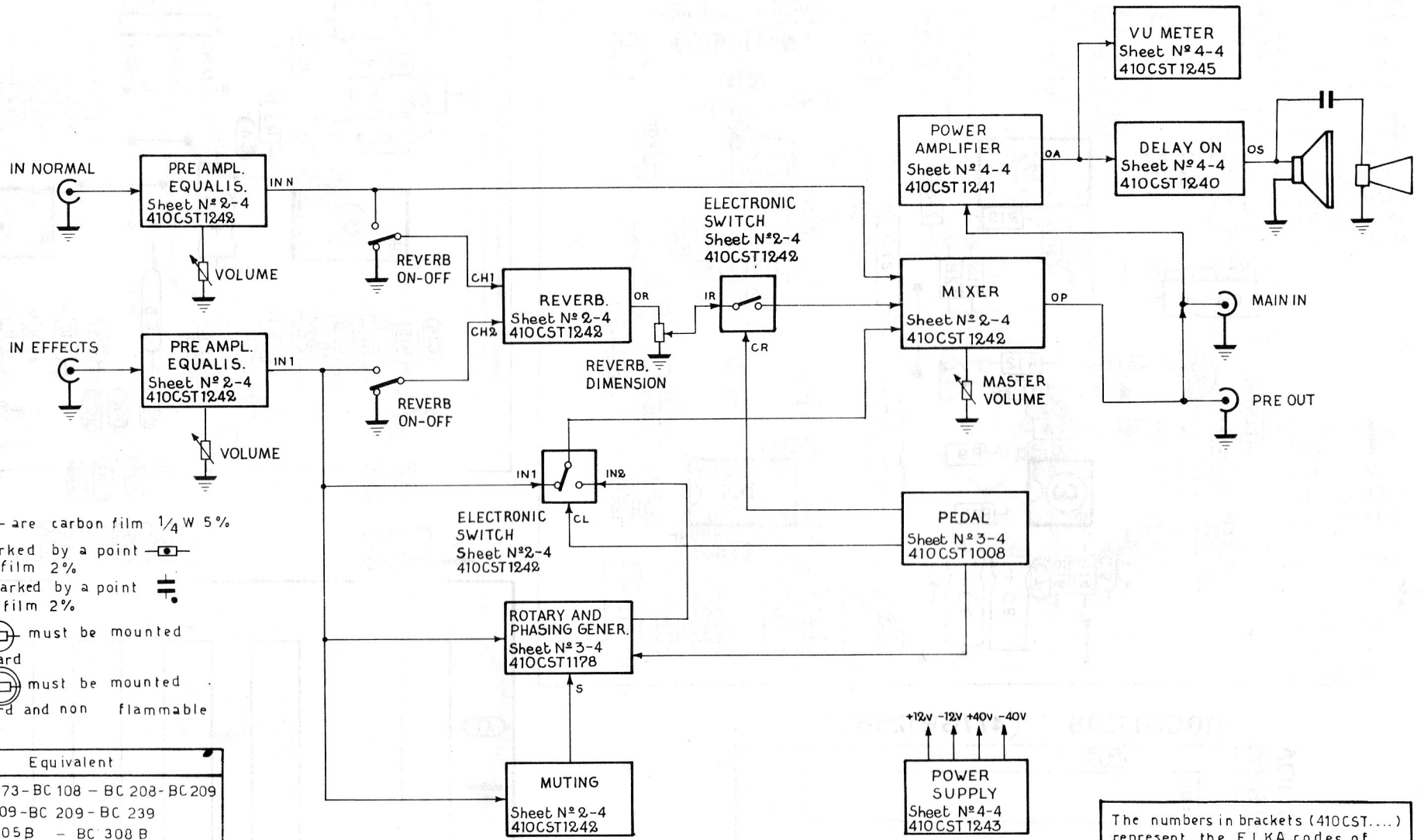


ELKA

ERRATA CORRIGE

Model
RM 140

Sheet No.	Date	Printed Circuit	MODIFICATIONS	
			Before	Now
3 - 4	2-9-81	CST1178	 	 



- 1) All resistors \square are carbon film $\frac{1}{4}$ W 5%
- 2) All resistors marked by a point \square must be metal film 2%
- 3) All capacitors marked by a point $\text{---} \text{---}$ must be plastic film 2%
- 4) All resistors --- must be mounted 10mm above board
- 5) All resistors --- must be mounted 10mm above board and non flammable

Transistors	Equivalent
BC 171	BC 173 - BC 108 - BC 208 - BC 209
BC 173	BC 109 - BC 209 - BC 239
BC 415 B	BC 205 B - BC 308 B
BC 415 C	BC 205 C - BC 308 C

All diodes are:
 FDH 9439 Fairchild
 or 125 ITT
 or BA 130
 or 2 PF

The tensions are measured when the instrument is turned on but not played

The firm reserves the right to make changes without any warning and to their own discretion

The numbers in brackets (410CST....) represent the ELKA codes of the assembled boards whilst the others represent the ELKA codes of the non assembled boards

<https://www.servicemanual.altervista.org>

Designed by _____ Drawn by *[Signature]* Checked by _____

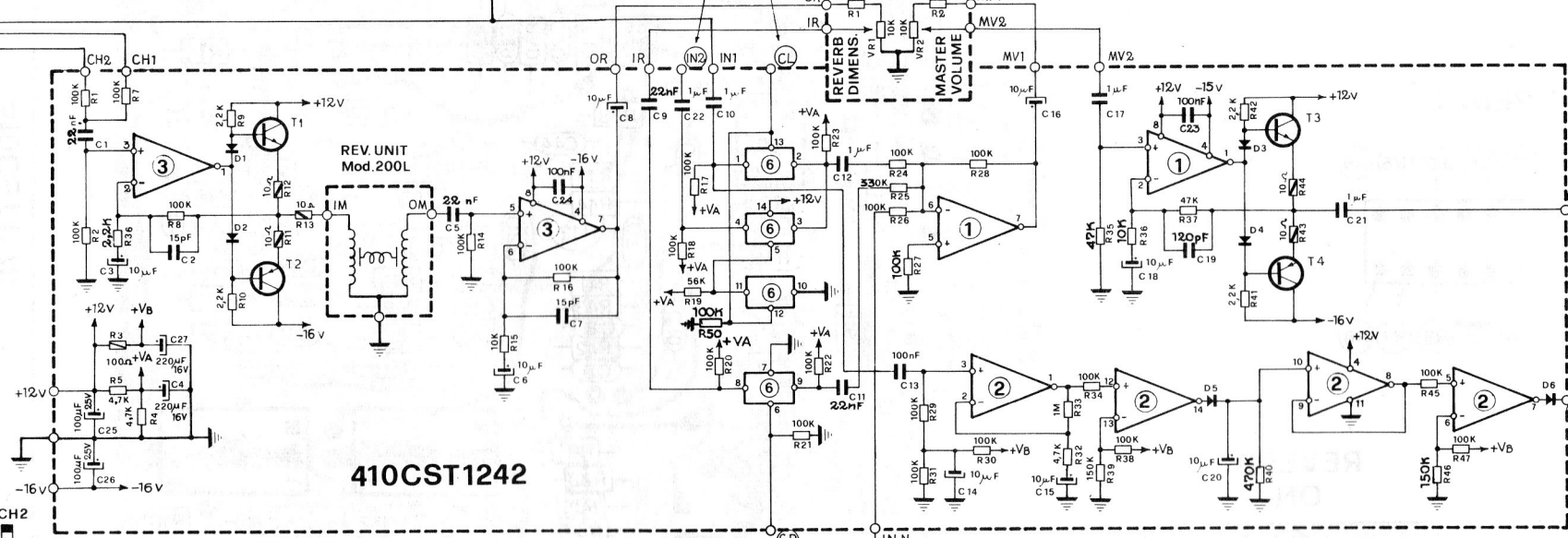
	Model RM140	Object: BLOCK DIAGRAM	Sheet No 1-4
			Date 15-5-81

see sheet 3-4
CST 1178

see sheet 3-4
CST 1178-1008

410CST1246

INTEGRATED CIRCUITS		
CODE	TYPE	MANUF.
1-3	TL082	
2-4-5	TL084	
6	4016	



see sheet 4-4
410CST1241

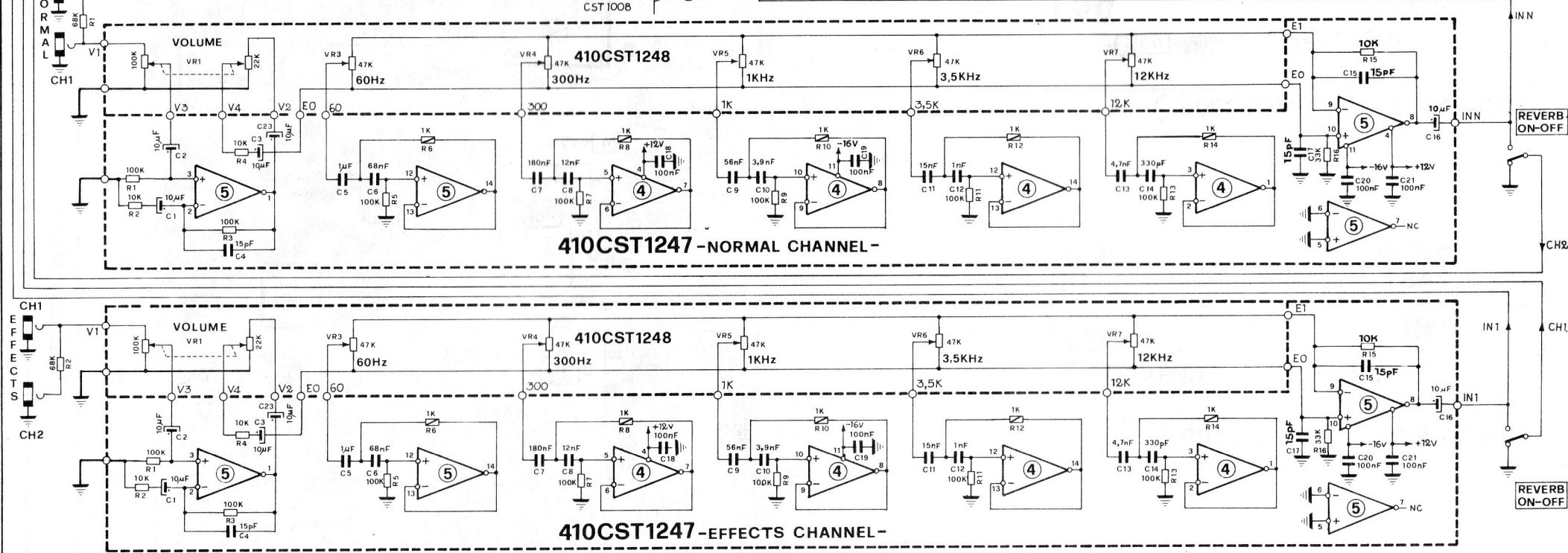
see sheet 3-4
410CST1178

CODE	TYPE	TRANS.
T1 - T3	NPN	BC286
T2 - T4	PNP	BC287

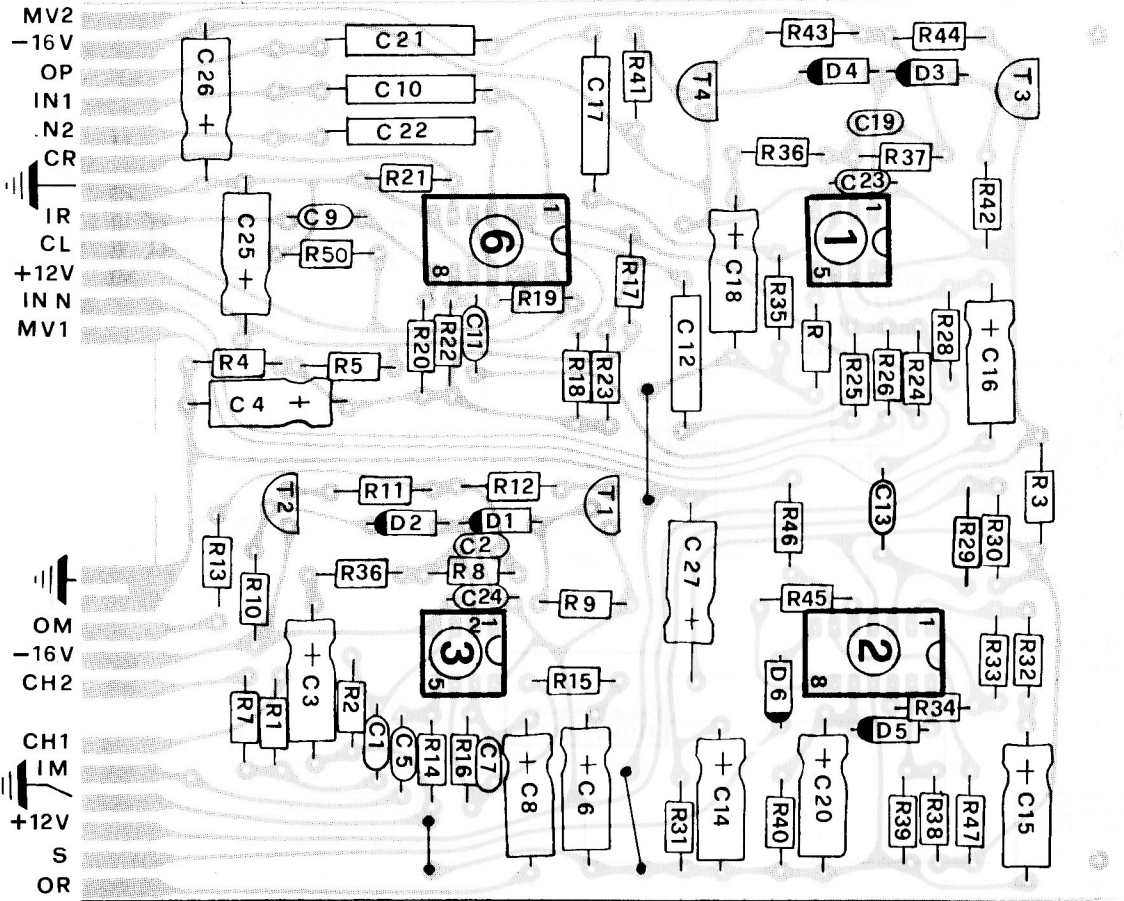
D1 ÷ D6 = BA130

410CST1247 - NORMAL CHANNEL -

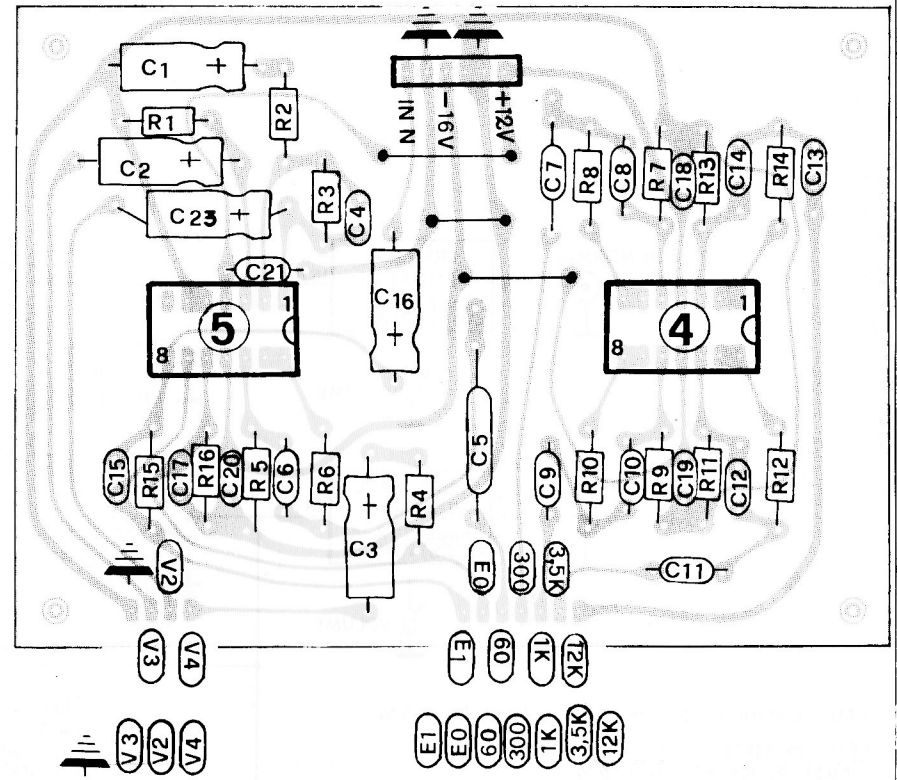
410CST1247 - EFFECTS CHANNEL -



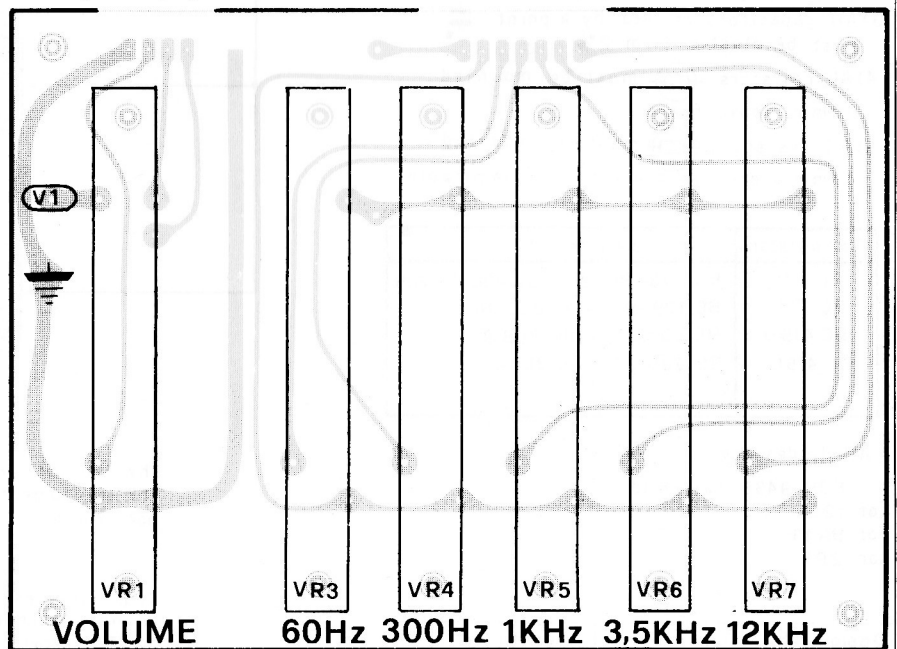
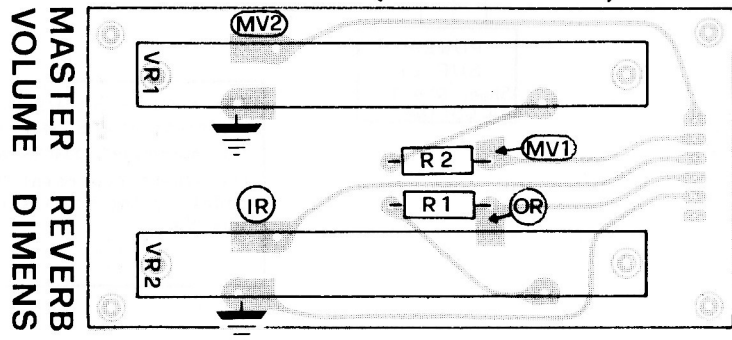
410CST1242 (477GR12420)



410CST1247 (477GR12470)



410CST1246 (477GR12460)



410CST1248

(477GR12480)



Model RM 140

Object: Assembly of Printed Circuits

Sheet No. 2a-4

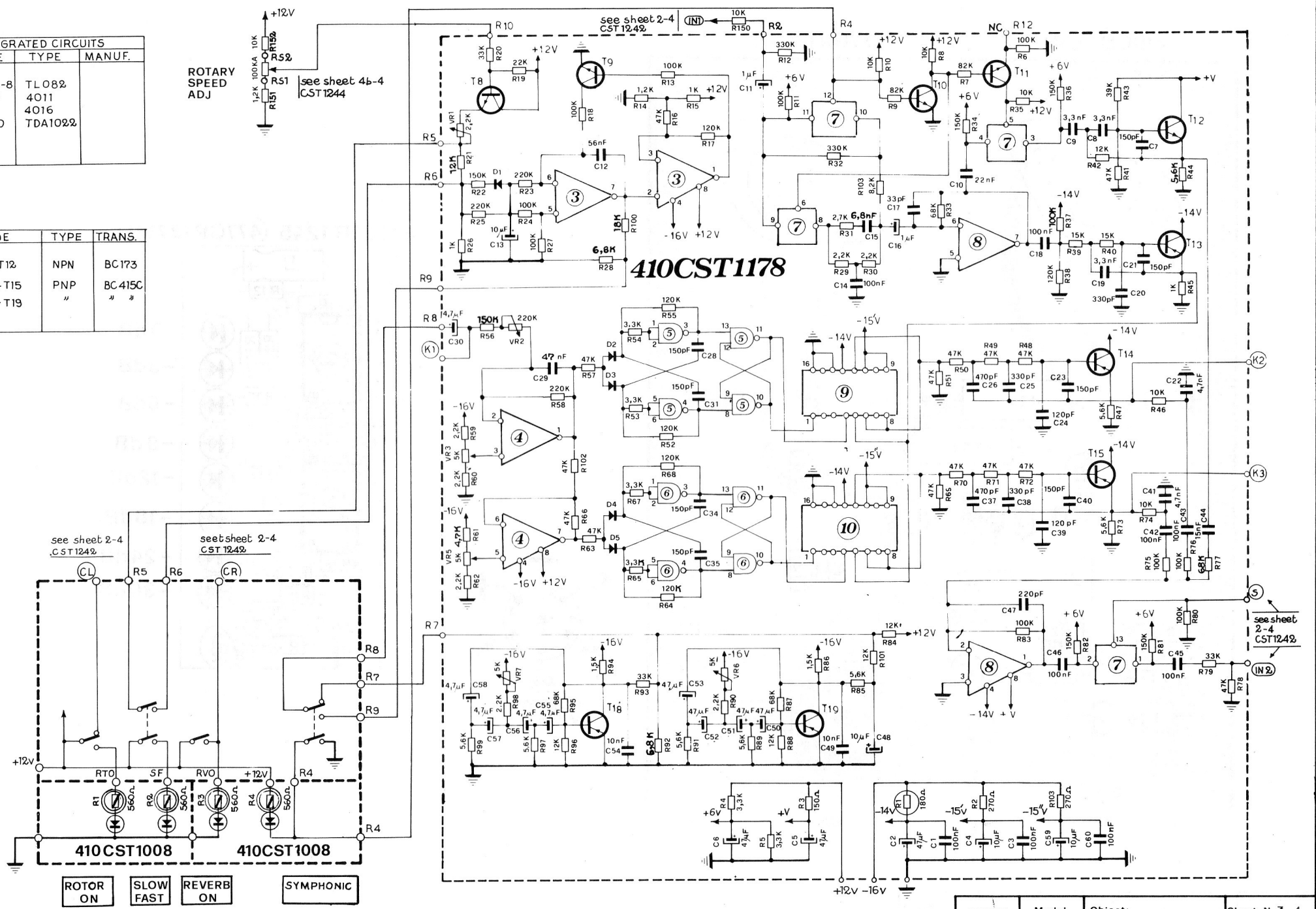
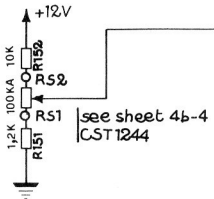
Date 15-5-81

<http://www.servicemanual.altervista.org>

INTEGRATED CIRCUITS		
CODE	TYPE	MANUF.
3-4-8	TL082	
5-6	4011	
7	4016	
9-10	TDA1022	

CODE	TYPE	TRANS.
T8 ÷ T12	NPN	BC173
T13 ÷ T15	PNP	BC415C
T18 - T19	"	" "

ROTARY SPEED ADJ



- ROTOR ON
- SLOW FAST
- REVERB ON
- SYMPHONIC

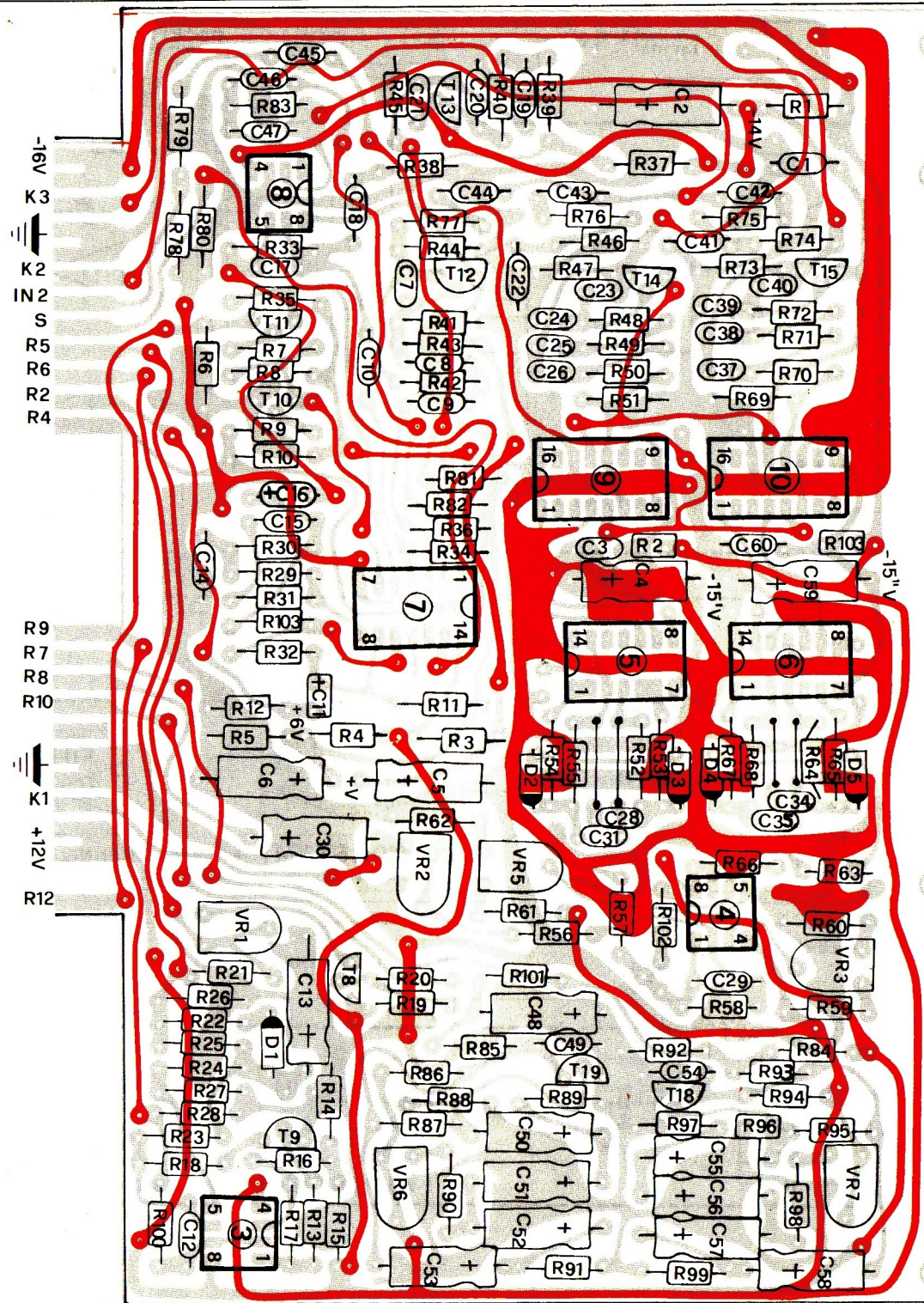
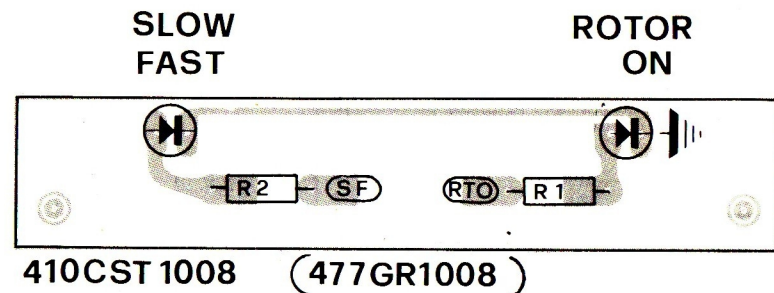
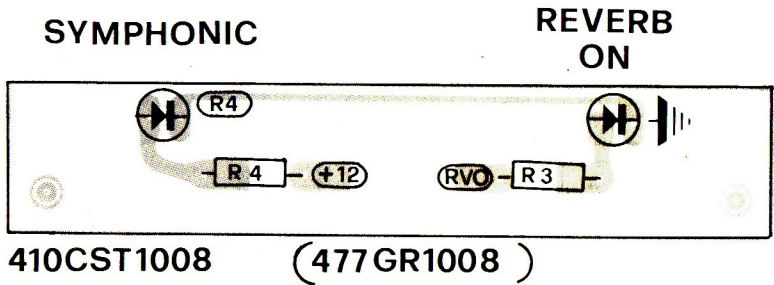
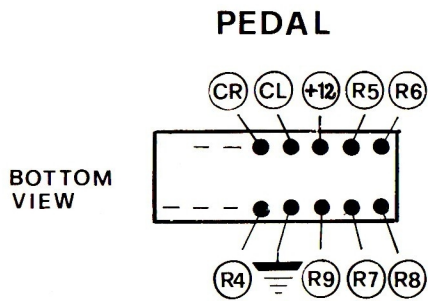


Model
RM140

Object:

Sheet No. 3-4

Date 15-5-81



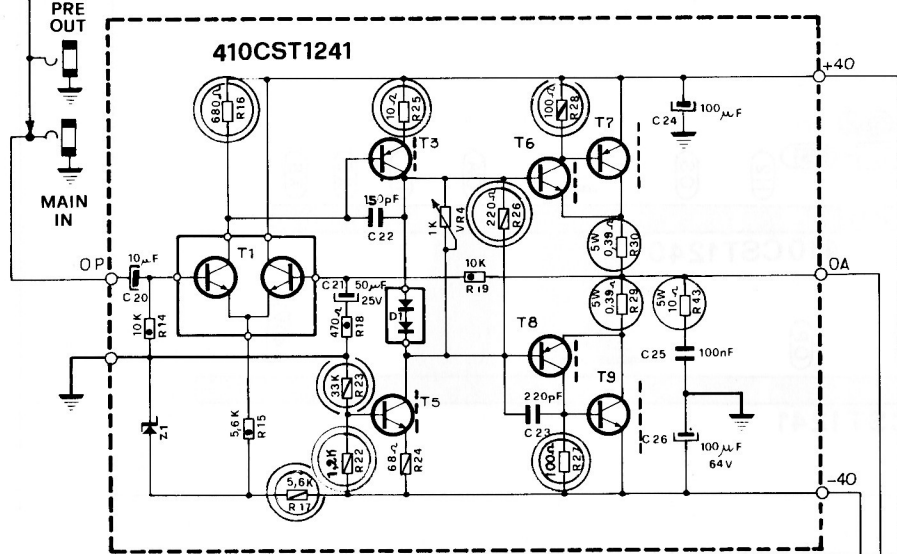
410CST1178

(477GR11780)

<https://www.servicemanual.altervista.org>

	Model	Object:	Sheet No. 3a-4
	RM140	Assembly of Printed Circuits	Date 15-5-81

see sheet 2-4
CST1242



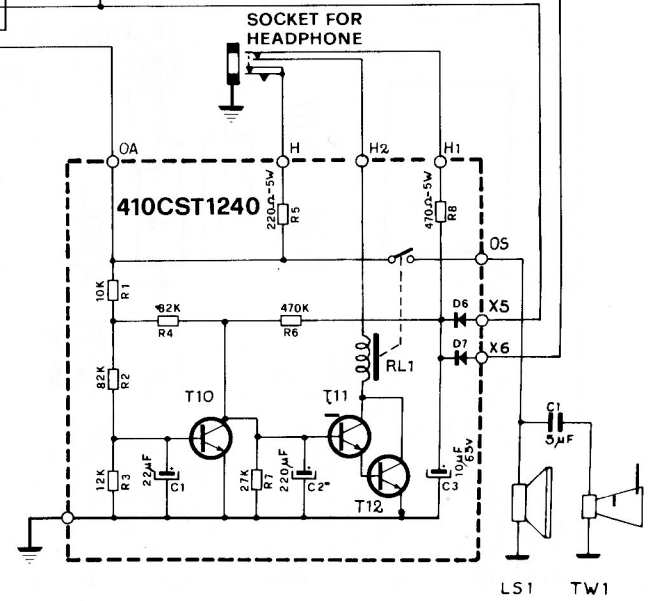
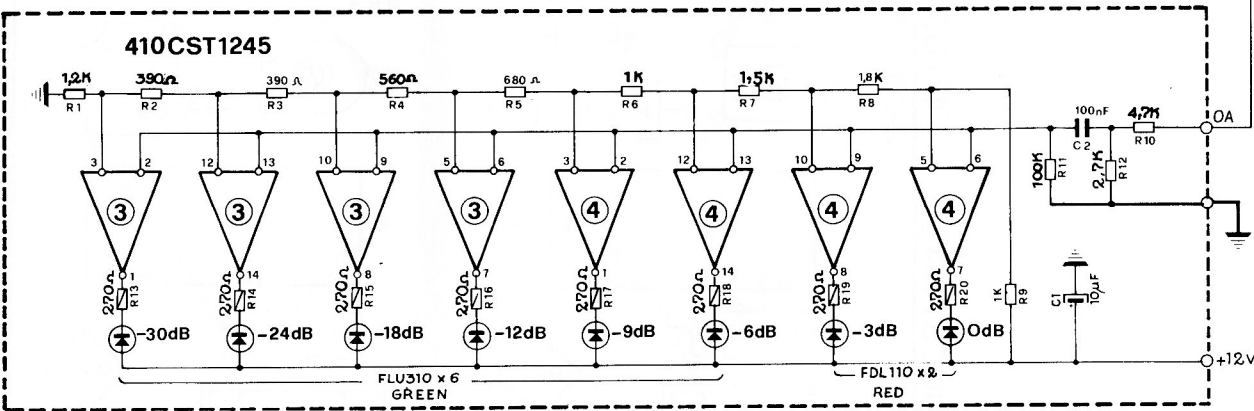
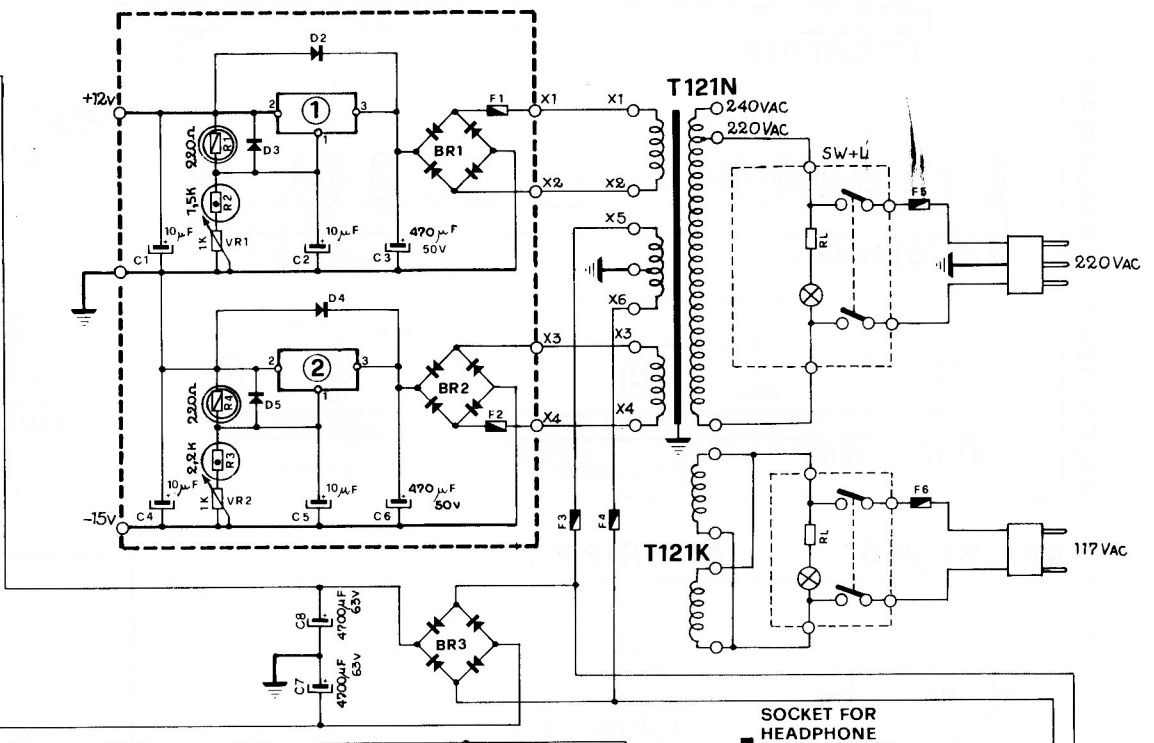
INTEGRATED CIRCUITS

CODE	TYPE	MANUF.
1 - 2	LM 317	NATIONAL
3 - 4	TL 084	

CODE	TYPE	TRANS.
T1	NPN	MD8002
T3 - T8	PNP	BD520
T5 - T6	NPN	BD519
T7	PNP	MJ4502
T9	NPN	MJ 8002
T10 - T11	NPN	BC173
T12	NPN	BC286

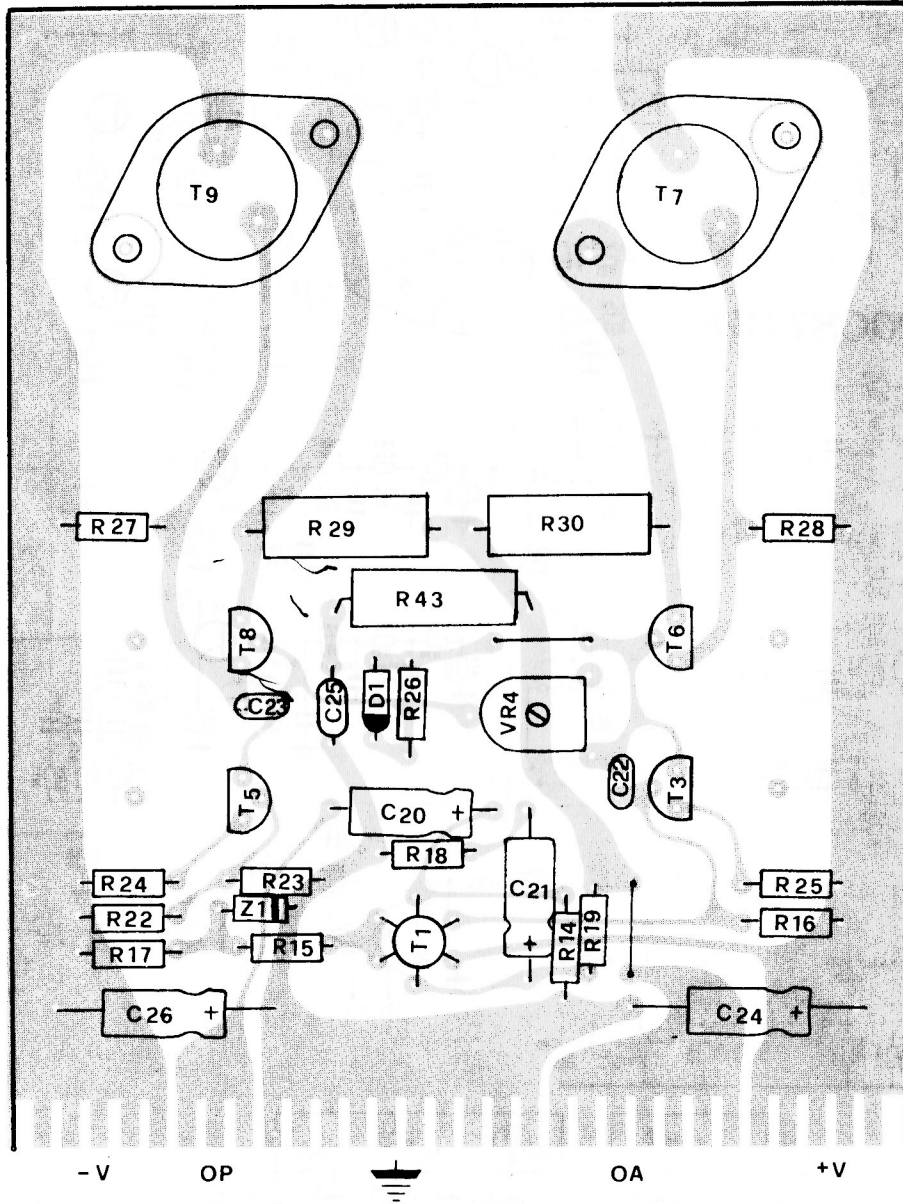
F1 = F2 = F5 = 1,25 AT
 F3 = F4 = 3,15 AT
 BR1 = BR2 = WO2
 BR3 = KBH02
 D2 ÷ D7 = 1N4003
 D1 = MZ 2361
 RL1 = LZ 12H TT
 LS1 = L15P
 TW1 = TW50
 Z1 = 1N5240

410CST1243

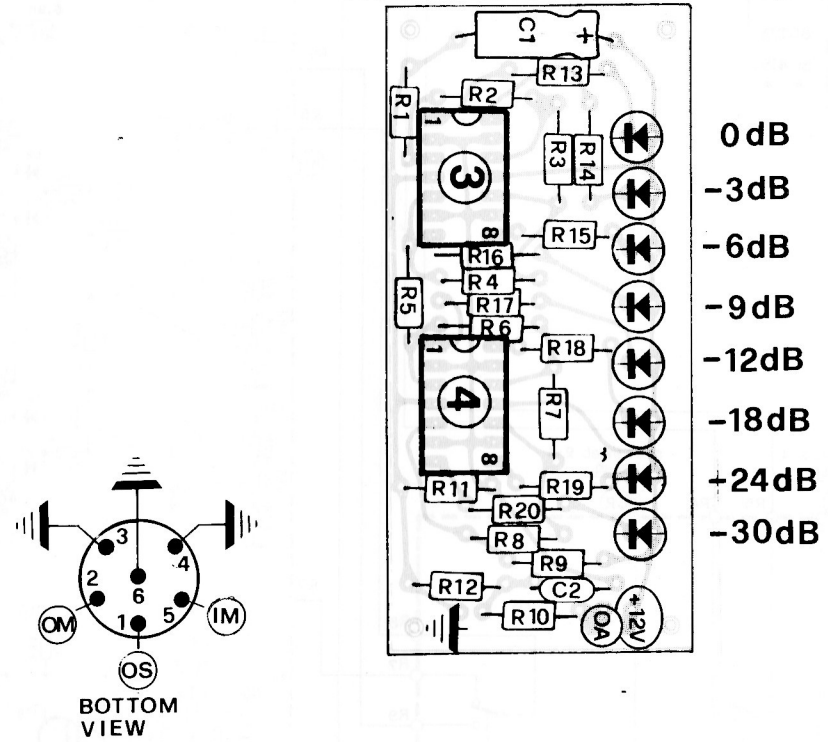


410CST1241

(477GR12410)



410CST1245 (477GR12450)

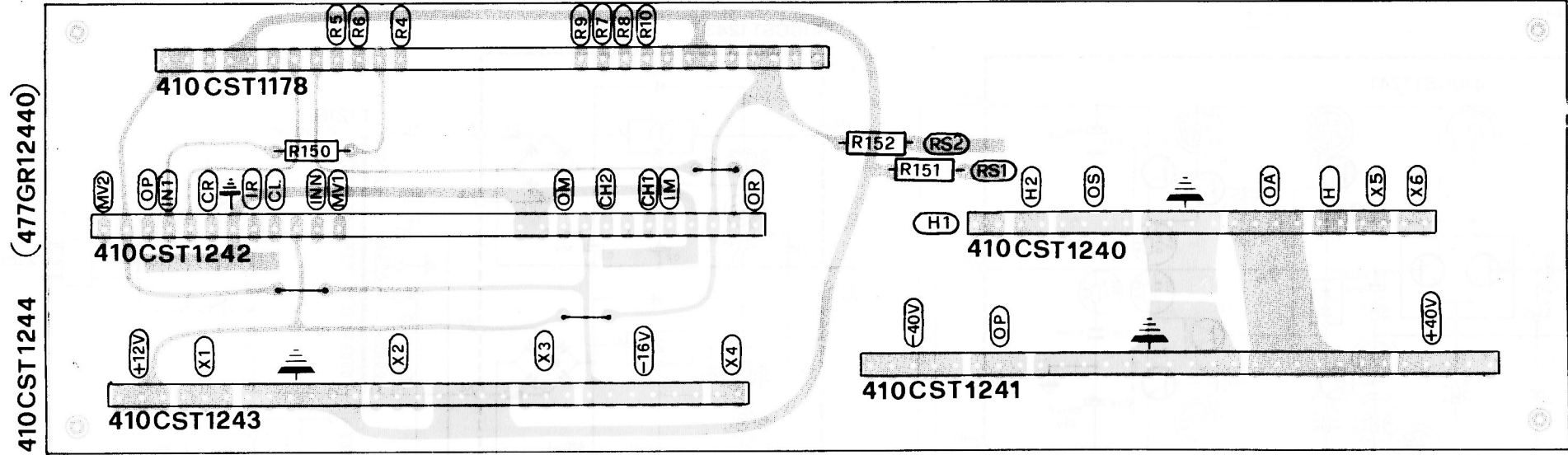


Model
RM 140

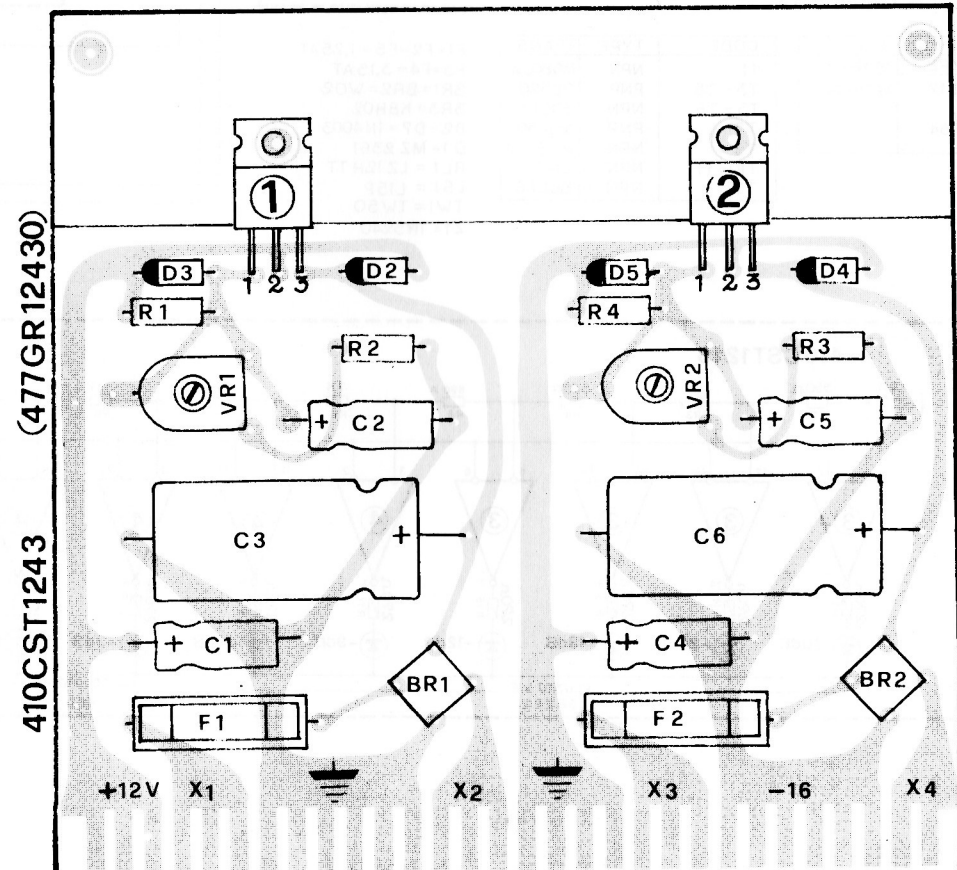
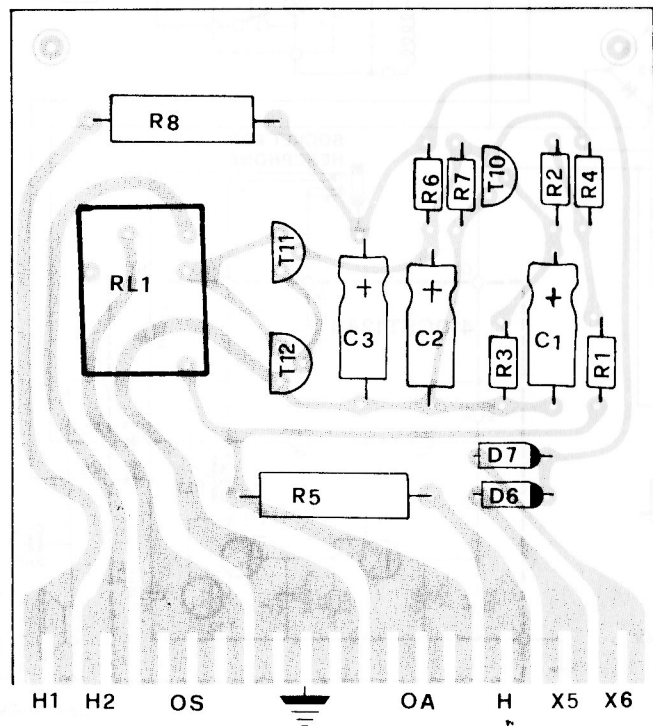
Object:
Assembly of
Printed Circuits

Sheet No. 4a-4
Date 15-5-81

<https://www.servicemanual.altervista.org>



410CST1240 (477GR12400)



Model
RM140

Object:
Assembly of
Printed Circuits

Sheet No. **4b-4**
Date **15-5-81**

Manufactured by **ELKA**