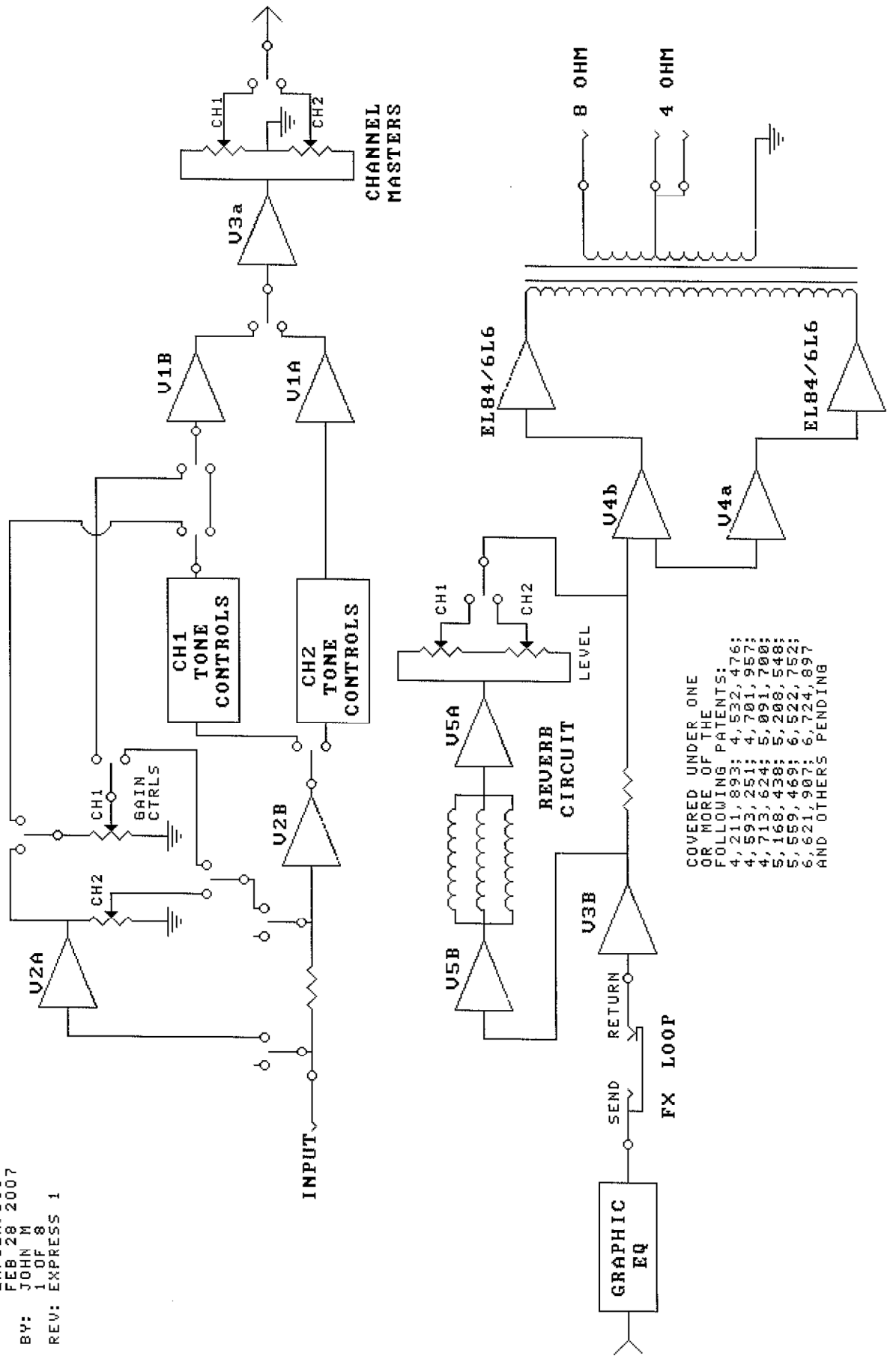


MESA/BOOGIE EXPRESS 5:25, 5:50

BLOCK DIAGRAM

FILE: EXPBLK.501
 DATE: FEB 28 2007
 DRAWN BY: JOHN M
 PAGE: 1 OF 8
 BOARD REV: EXPRESS 1

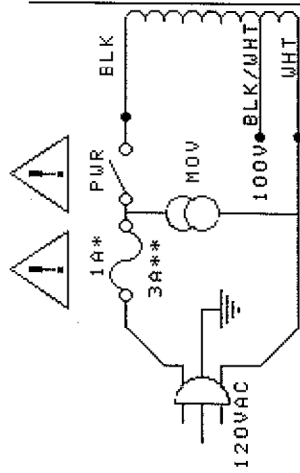


COVERED UNDER ONE
 OR MORE OF THE
 FOLLOWING PATENTS:
 4,211,893; 4,532,476;
 4,593,251; 4,701,957;
 4,713,624; 5,091,700;
 5,168,438; 5,208,548;
 5,559,469; 6,522,752;
 6,621,907; 6,724,897
 AND OTHERS PENDING

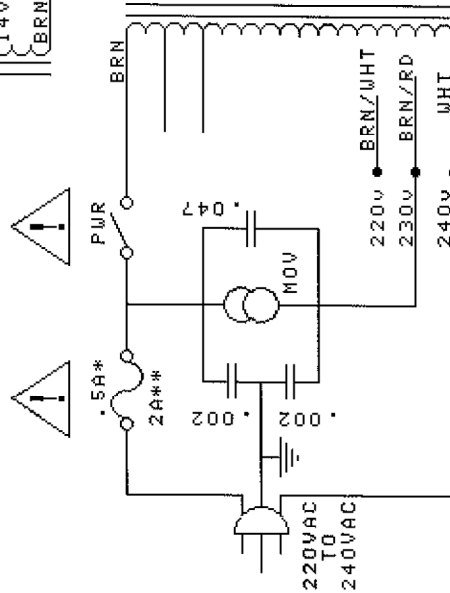
MESA/BOOGIE EXPRESS 5:25, 5:50

POWER SUPPLIES

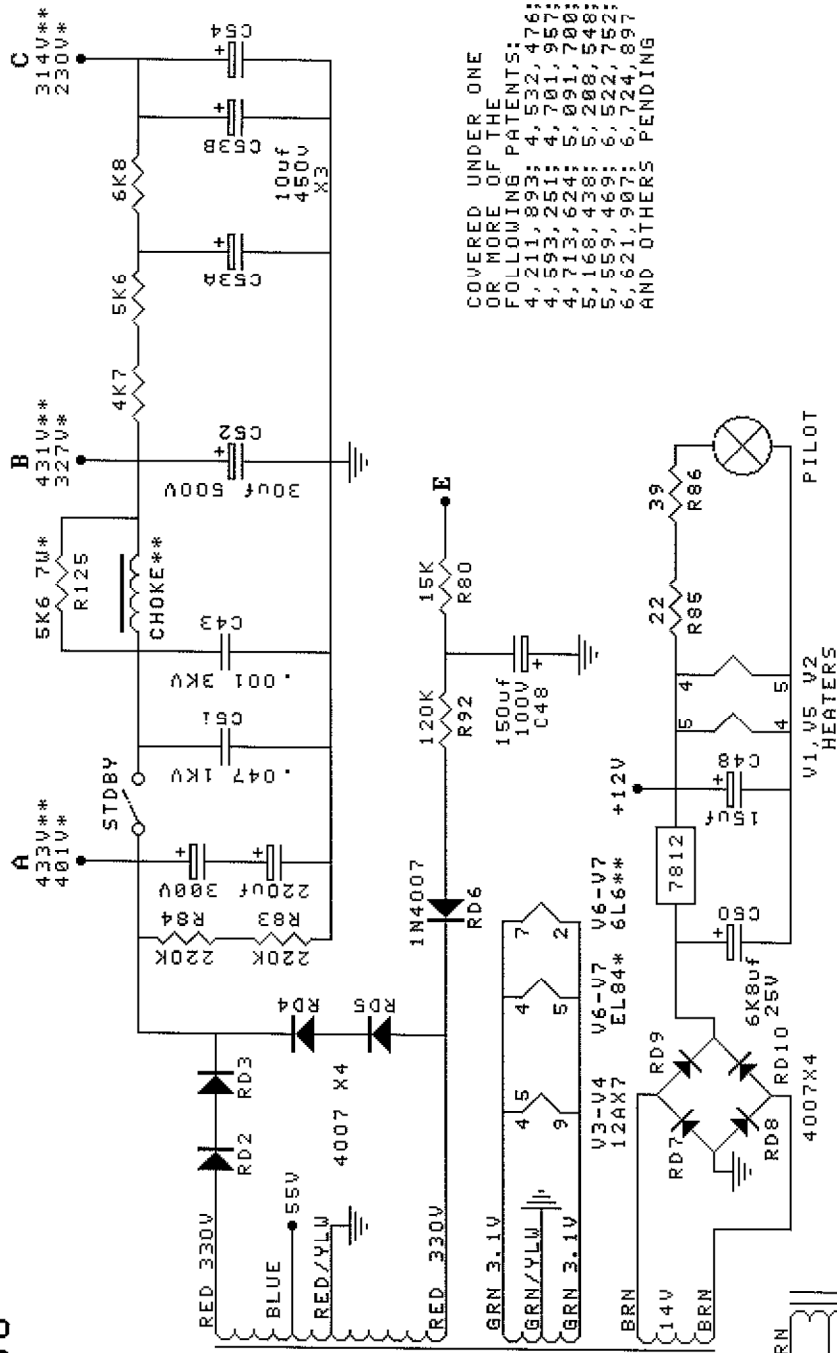
FILE: EXP5UP_501
DATE: FEB 28 2007
DRAWN BY: JOHN M
PAGE: 2 OF 8
BOARD REV: EXPRESS 1



**DOMESTIC #561830*
PRIMARY #561832****

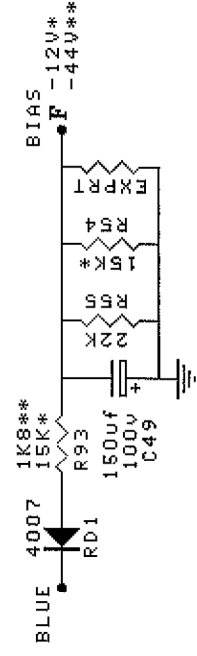


**EXPORT PRIMARY #561831*
#561833****



COVERED UNDER ONE
OR MORE OF THE
FOLLOWING PATENTS:
4,211,893; 4,532,476;
4,593,251; 4,701,957;
4,713,624; 5,091,700;
5,168,438; 5,208,548;
5,559,469; 6,522,752;
6,621,907; 6,724,897
AND OTHERS PENDING

***5:25 ONLY**
****5:50 ONLY**
ALL VOLTAGES
MEASURED IN
CHI CLEAN MODE

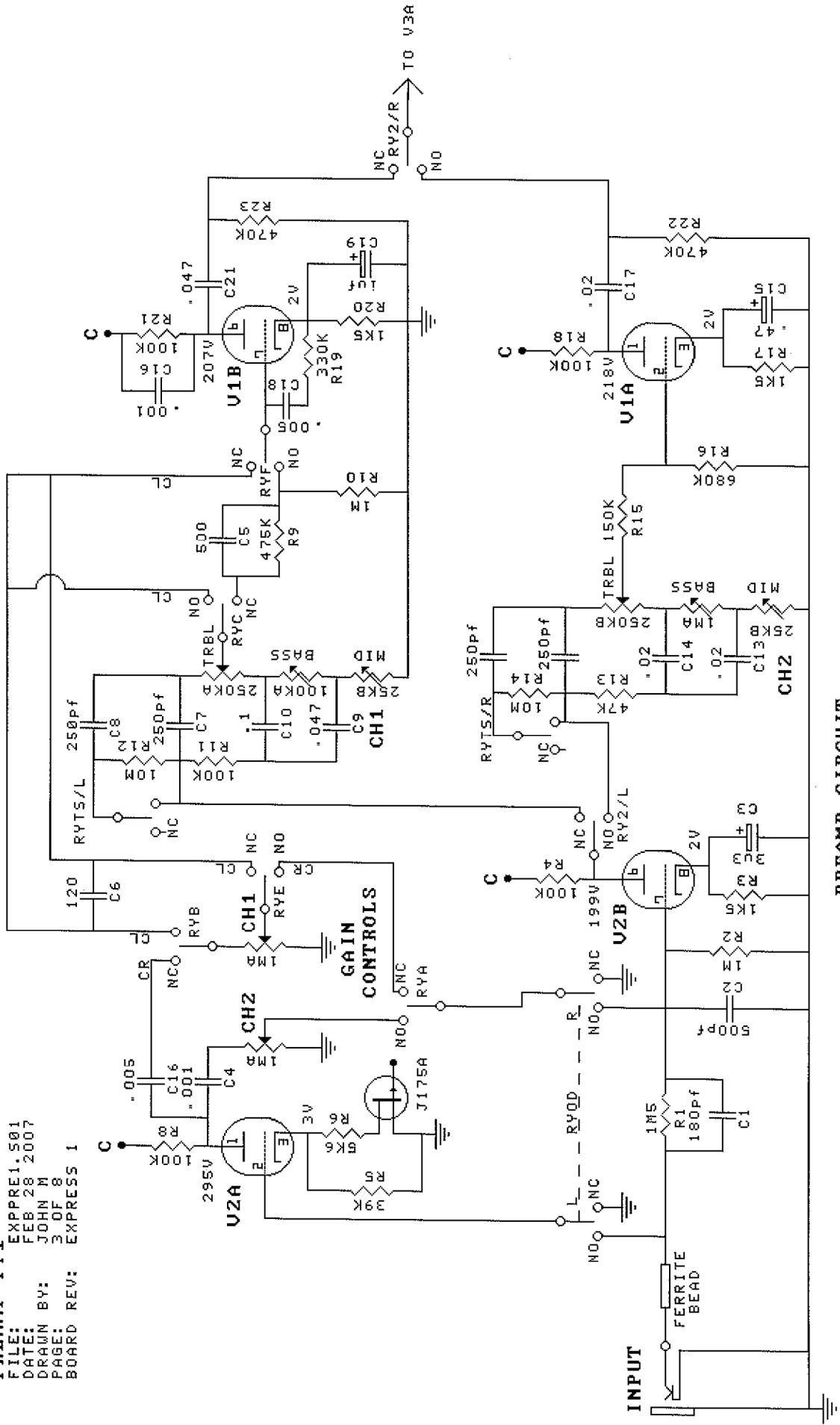


MESA/BOOGIE

EXPRESS 5:25, 5:50

PREAMP PT1

FILE: EXPRE1.501
 DATE: FEB 28 2007
 DRAWN BY: JOHN M
 PAGE: 3 OF 8
 BOARD REV: EXPRESS 1

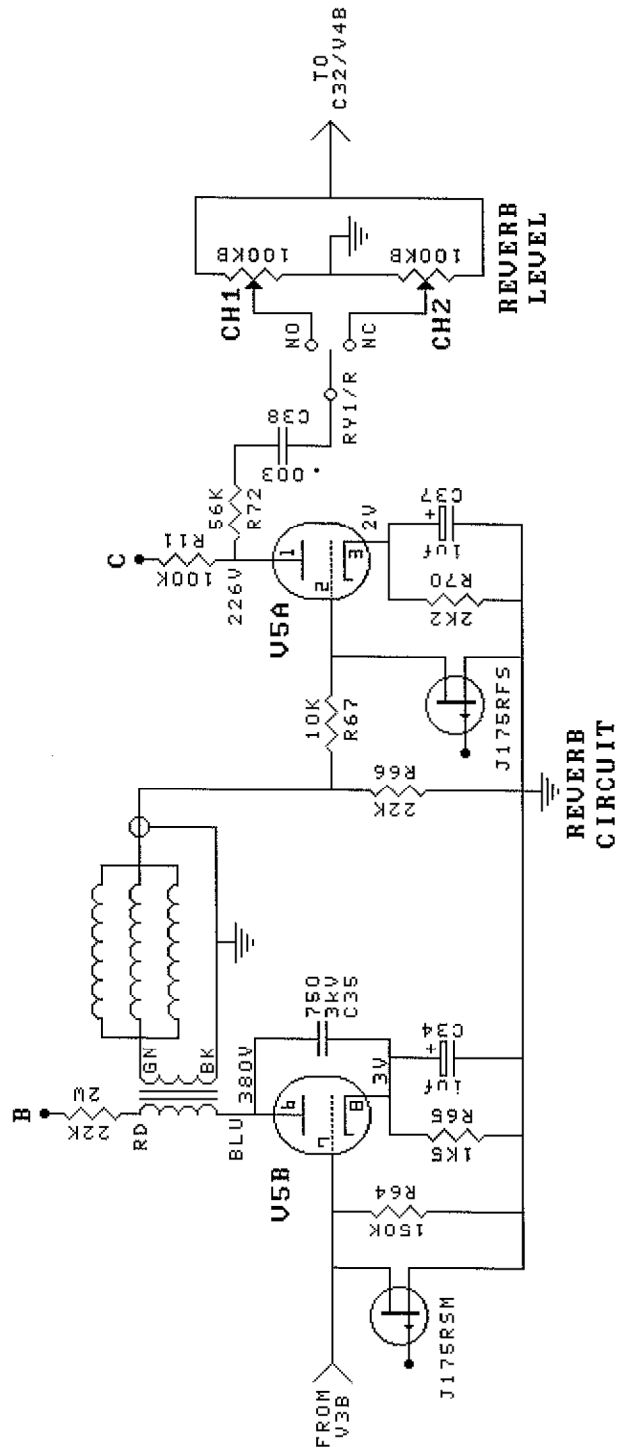
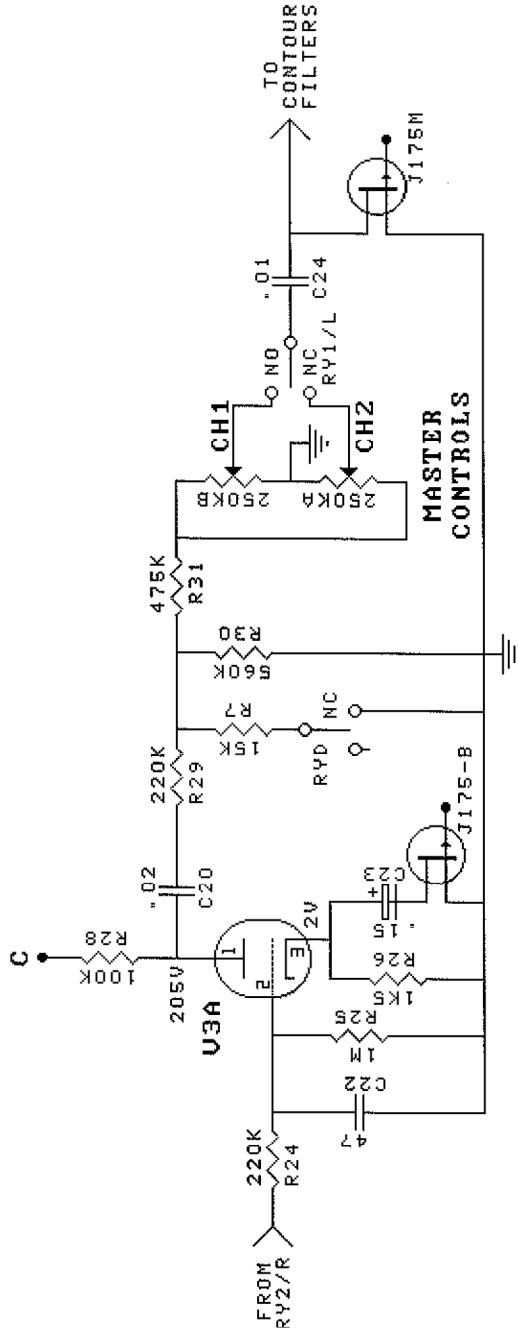


PREAMP CIRCUIT
 PATENT #4,701,957

MESA/BOOGIE 5:50

EXPRESS 5:25, REV CIRCUIT/MASTERS

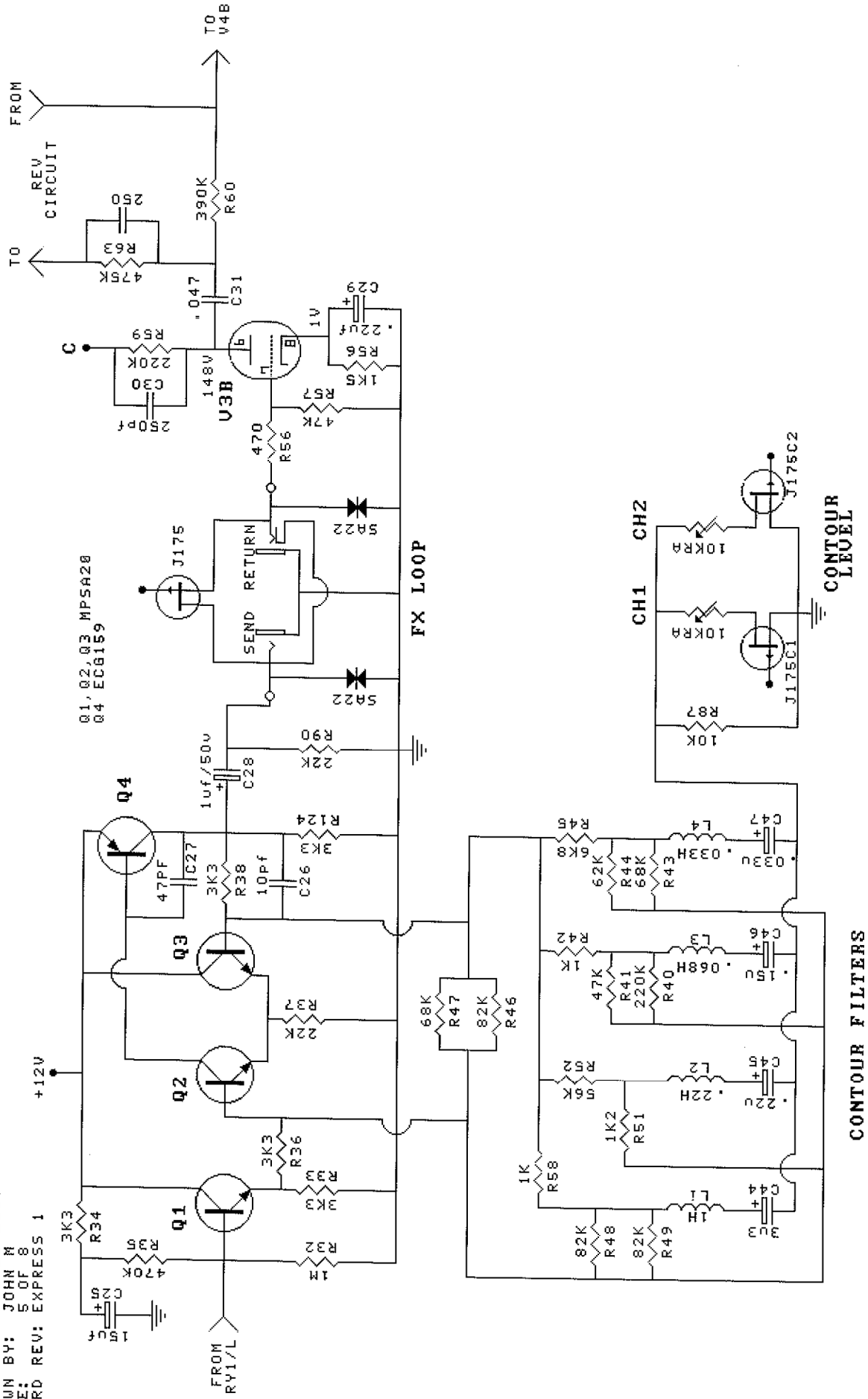
FILE: EXPREV.S01
 DATE: FEB 28 2007
 DRAWN BY: JOHN M
 PAGE: 4 OF 8
 BOARD REV: EXPRESS 1



MESA/BOOGIE EXPRESS 5:25, 5:50

CONTOUR/LOOP

FILE: EXPLP.S01
 DATE: FEB 28 2007
 DRAWN BY: JOHN M
 PAGE: 5 OF 8
 BOARD REV: EXPRESS 1

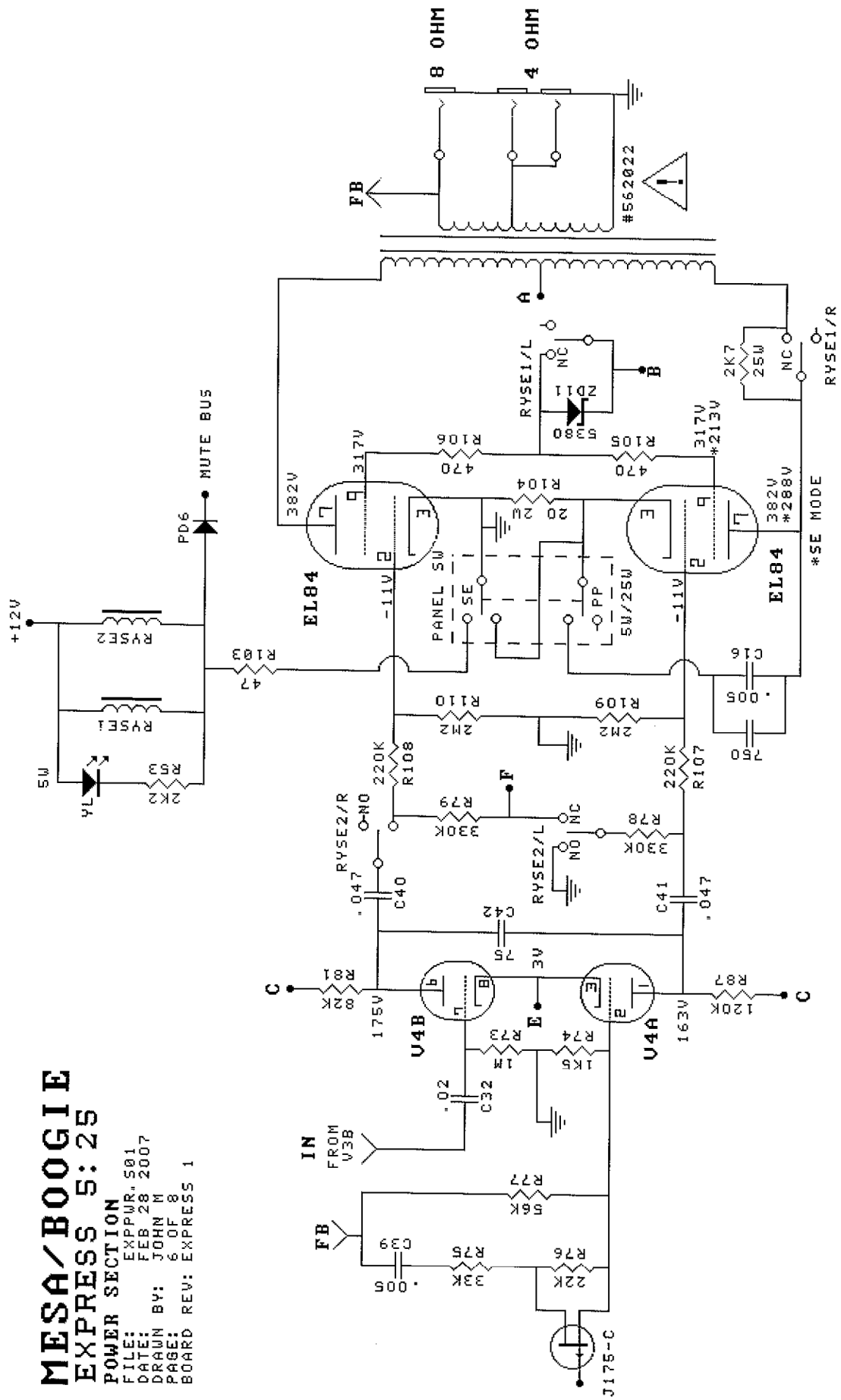


Q1, Q2, Q3 MPSA20
 Q4 ECG159

MESA/BOOGIE EXPRESS 5:25

POWER SECTION

FILE: EXPPUR.501
 DATE: FEB 28 2007
 DRAWN BY: JOHN M
 PAGE: 6 OF 8
 BOARD REV: EXPRESS 1



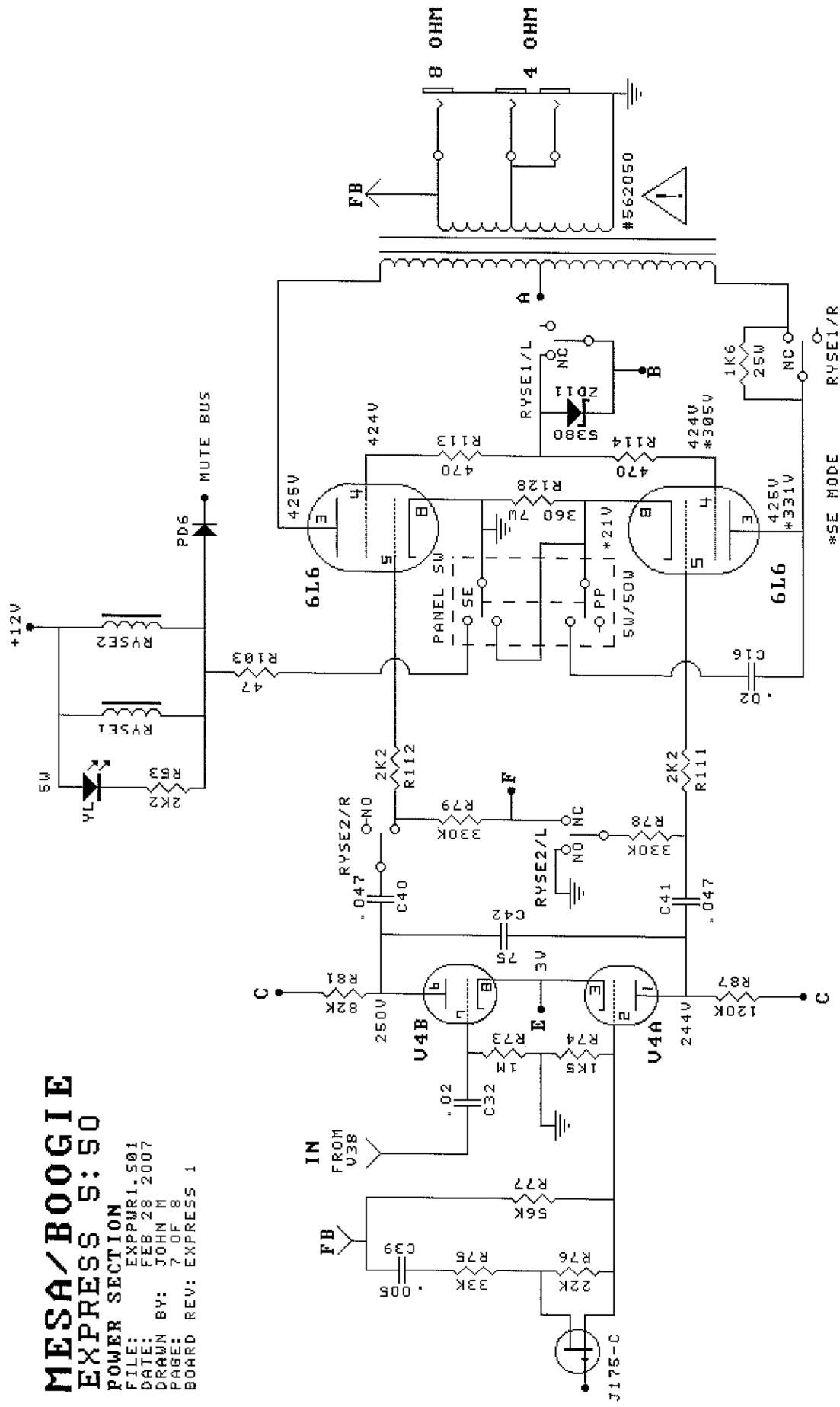
DYNA-WATT POWER
 PATENT# 4,713,624

PUSH/PULL-SINGLE ENDED SWITCHING
 PATENT GRANTED/NOT YET ISSUED

MESA/BOOGIE EXPRESS 5:50

POWER SECTION

FILE: EXPPUR1.S01
DATE: FEB.28.2007
DRAWN BY: JOHN M
PAGE: 7 OF 8
BOARD REV: EXPRESS 1



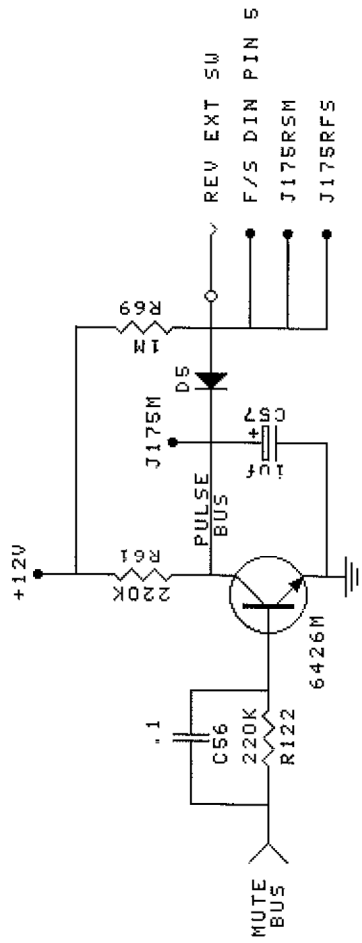
PUSH/PULL-SINGLE ENDED SWITCHING
PATENT GRANTED/NOT YET ISSUED

MESA/BOOGIE

EXPRESS 5:25, 5:50

SWITCH MATRIX

FILE: EXPSU1-501
 DATE: FEB 28 2007
 DRAWN BY: JOHN M
 PAGE: 8 OF 8
 BOARD REV: EXPRESS 1



MUTE CIRCUIT

PATENT #6,621,907

